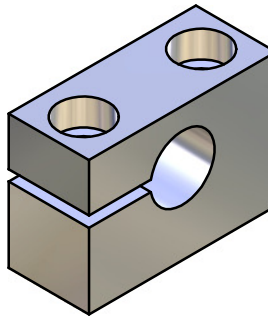
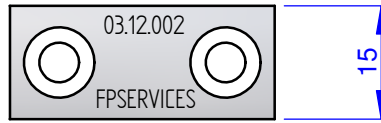
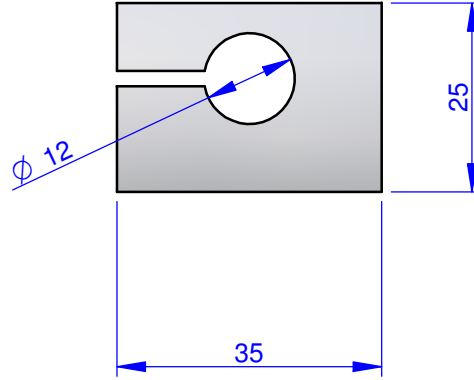


THE PROPERTY OF THIS DRAWING IS ESTABLISHED BY LAW
IT IS FORBIDDEN TO REPRODUCE IT OR SHOW IT TO THIRD PARTY
WITHOUT A WRITTEN AGREEMENT.



MODIFICATIONS: VARIED DIMENSIONS AS OF DATE:

7. 8. 9. 10. 11. 12.

MODIFICATIONS: VARIED DIMENSIONS AS OF DATE:

1. 2. 3. 4. 5. 6.

FP Services



DESIGNED FROM
FPSERVICES

DATE 04/2014 WEIGHT 0,026 kg

CODE **CA.03.12.002**

Format A4
UNI 936-76

GENERAL TOLERANCE:
UNI - ISO 2768
CLASSE f

DESCRIPTION

